



# EZY Chek Systems CERTIFICATION EXAM COVER SHEET

**PLEASE CHECK ALL  
METHODS THAT APPLY**

- EZY 3 LOCATOR PLUS
- PRODUCT LINE TESTING
- LEAK DETECTOR TESTING

Contact Name: \_\_\_\_\_

Company Name: \_\_\_\_\_

Technician Name: \_\_\_\_\_

Company Address: \_\_\_\_\_

\_\_\_\_\_

\_\_\_\_\_

Company Phone: \_\_\_\_\_

Company Fax: \_\_\_\_\_

E-Mail Address \_\_\_\_\_

Technician SSN: \_\_\_\_\_

**(Last 6 digits - ONLY!)**

**INITIAL**

\_\_\_\_\_ **I agree to completely and without deviation follow the protocol set forth by Estabrook's, Inc. regarding the procedures and practices instructed by and certified by Brad Estabrook when using the Estabrook's, Inc. EZY Chek Systems.**

\_\_\_\_\_ **I agree to follow Estabrook's, Inc. protocol regarding certification and calibration.**

\_\_\_\_\_ **I agree to renew my certification biannually; I understand that it is my responsibility to contact Estabrook's, Inc. to arrange my recertification prior to my certification expiration date.**

\_\_\_\_\_ **I agree to calibrate my equipment annually; I understand that "equipment" is defined as the Acoustic Signal Processor, In-Tank Microphone, Pressure Sensor, Water Sensor Display, Water Sensor Probe and Negative Pressure Gauge. I understand that it is my responsibility to contact Estabrook's, Inc. to arrange the annual calibration of my equipment prior to the expiration date.**

\_\_\_\_\_ **I have read the above requirements and agree to the terms and conditions there to.**

\_\_\_\_\_  
Technician Signature

\_\_\_\_\_  
Date



# **EZY Chek Systems**

## **EZY 3 LOCATOR PLUS**

### **CERTIFICATION**

===== **EXAM** =====

***Read each question; write the letter to the answer you chose in the space provided next to the question number.***

- 1) \_\_\_\_\_ What is the PSI (weight) of water?
  - a. .036
  - b. .032
  - c. .026
  - d. .033
  
- 2) \_\_\_\_\_ What is the PSI (weight) of gas?
  - a. .036
  - b. .032
  - c. .026
  - d. .033
  
- 3) \_\_\_\_\_ What is the PSI (weight) of diesel?
  - a. .036
  - b. .031
  - c. .026
  - d. .049
  
- 4) \_\_\_\_\_ What is the PSI (weight) of kerosene?
  - a. .033
  - b. .031
  - c. .028
  - d. .029
  
- 5) \_\_\_\_\_ What is the PSI (weight) of transmission fluid?
  - a. .036
  - b. .033
  - c. .049
  - d. .029
  
- 6) \_\_\_\_\_ What is the PSI (weight) of motor oil?
  - a. .036
  - b. .031
  - c. .022
  - d. .033
  
- 7) \_\_\_\_\_ What is the PSI (weight) of brine?
  - a. .049
  - b. .029
  - c. .028
  - d. .034

**EZY Chek Systems**  
**EZY 3 LOCATOR PLUS CERTIFICATION EXAM**

- 8) \_\_\_\_\_ Tank capacity shall not exceed what size?
- 20,000 gallons
  - 30,000 gallons
  - 50,000 gallons
  - 100,000 gallons
- 9) \_\_\_\_\_ What is the “*maximum*” pressure place on the tank top and shall never be exceeded?
- 2.00 psi of vacuum
  - 4.00 psi of vacuum
  - 6.00 psi of vacuum
  - 8.00 psi of vacuum
- 10) \_\_\_\_\_ What is the “*minimum*” amount of ullage space required to conduct a test on a tank?
- 1% total tank volume -or- 50 gallons whichever is less
  - 2% total tank volume
  - 50 gallons
  - 1% total tank volume -or- 50 gallons, whichever is greater
- 11) \_\_\_\_\_ What is the “*maximum*” amount of ullage space required to conduct a test on a tank?
- 10,000 gallons
  - 20,000 gallons
  - 30,000 gallons
  - 99% total tank capacity
- 12) \_\_\_\_\_ Before pulling vacuum on a tank and running an acoustic test, the microphone should always be checked for proper operation?
- True
  - False
- 13) \_\_\_\_\_ After the tank is completely sealed off, what must be done “*before*” turning on the motor blower to pull vacuum on the tank?
- All safety precautions shall be made to area.
  - The calculation must be completed to determine vacuum that shall be applied to the tank.
  - A background base line test must be taken of the sound in the tank with no vacuum applied.
  - All of the above.
- 14) \_\_\_\_\_ At a “*minimum*”, how long should the motor blower run and circulate once the proper amount of vacuum has been applied to the tank?
- 1-2 minutes
  - 3-5 minutes
  - 5-7 minutes
  - 7-9 minutes
- 15) \_\_\_\_\_ At a “*minimum*”, how long must the technician run the acoustic portion of the test (*with the exception of Rockland County*)?
- 4 minutes
  - 1 minutes
  - 2 minutes
  - 3 minutes

**EZY Chek Systems**  
**EZY 3 LOCATOR PLUS CERTIFICATION EXAM**

- 16) \_\_\_\_\_ If the acoustic equipment reveals a "hiss", what portion of the tank may be leaking?
- Below the liquid level
  - Above the liquid level
  - The tank interstitial space
  - It can only be a vent or stage II line that causes this
- 17) \_\_\_\_\_ If the acoustic equipment reveals a "bubble", what portion of the tank may be leaking?
- Below the liquid level
  - Above the liquid level
  - The tank interstitial space
  - It can only be a vent or stage II line that causes this
- 18) \_\_\_\_\_ If the acoustic equipment reveals "no" sound and there is no ground water around the tank, the tank is tight?
- True
  - False
- 19) \_\_\_\_\_ On the digital pressure sensor; where should the switches be set to monitor the tank's vacuum level?
- Slow/Fast and PSI
  - Slow/Fast and H<sub>2</sub>O
  - Slow/Fast and HG
  - Slow/Fast and KPA
- 20) \_\_\_\_\_ calculate the following "minimum test length" for running a water intrusion test when your average calibration is **50mL** (round to the nearest minute):
- 12 minutes
  - 16 minutes
  - 24 minutes
  - 32 minutes
- 21) \_\_\_\_\_ calculate the following "minimum test length" for running a water intrusion test when your average calibration is **75mL** (round to the nearest minute):
- 12 minutes
  - 16 minutes
  - 24 minutes
  - 32 minutes
- 22) \_\_\_\_\_ calculate the following "minimum test length" for running a water intrusion test when your average calibration is **125mL** (round to the nearest minute):
- 30 minutes
  - 32 minutes
  - 40 minutes
  - 48 minutes
- 23) \_\_\_\_\_ calculate the following "minimum test length" for running a water intrusion test when your average calibration is **150mL** (round to the nearest minute):
- 30 minutes
  - 32 minutes
  - 40 minutes
  - 48 minutes

**EZY Chek Systems**  
**EZY 3 LOCATOR PLUS CERTIFICATION EXAM**

- 24) \_\_\_\_\_ What is the leak threshold for water intrusion?
- a. .05 inches
  - b. 0 gallons
  - c. .0140 inches
  - d. .05 gallons
- 25) \_\_\_\_\_ If .0100 gallons of water did intrude into the tank during a test, does the tank pass or fail?
- a. Pass
  - b. Fail
- 26) \_\_\_\_\_ What is the “*minimum*” amount of calibrations that must be performed prior to setting your water intrusion sensor and conducting a water intrusion test?
- a. None
  - b. 1 calibration
  - c. 2 calibrations
  - d. 3 calibrations
- 27) \_\_\_\_\_ Estabrook’s recommends what test solution when calibrating your conductive water sensor?
- a. A water/antifreeze mix
  - b. A water/biocide mix
  - c. A antifreeze/biocide mix
  - d. Straight water
- 28) \_\_\_\_\_ It is critically important to accurately determine water table prior to conducting a tank tightness test?
- a. True
  - b. False
- 29) \_\_\_\_\_ All tank testing equipment is required to be calibrated annually by the manufacturer, Estabrook’s, Inc.?
- a. True
  - b. False
- 30) \_\_\_\_\_ How often shall a technician recertify with the manufacturer of the EZY 3 Locator Plus test equipment?
- a. Every 2 years
  - b. Every 4 years
  - c. Every 5 years
  - d. Certification does not need to be renewed



## **EZY Chek Systems**

# **EZY 3 LOCATOR PLUS CERTIFICATION EXAM**

### **Data Sheet Instructions**

On the following pages you will find three Estabrook's, Inc. EZY 3 Locator Plus Pressure Calculation Data Sheets.

We have provided you with the necessary information on the Data Sheet to complete the Pressure Calculations **and** the Calculation for the Test Period.

#### **Product Information:**

- ◆ Using the data provided in the "Product Type" located at the top left of the Pressure Calculation Sheet, enter the "WEIGHT OF PRODUCT" into the corresponding space provided in the Pressure Sensor Calculation box.
- ◆ Use this data to complete the Pressure Calculations along with the other Data provided.

#### **Pressure Calculations:**

- ◆ Data is provided on the Tank Diagram located on the bottom right of the Pressure Calculation Sheet.
- ◆ Enter this data into the corresponding space in the "PRESSURE SENSOR CALCULATION" box.
- ◆ Complete all calculations; 1-7 to achieve the "TEST PRESSURE".

#### **Water Sensor Calibration:**

- ◆ Data is provided in the "WATER SENSOR CALIBRATION" box located on the bottom left of the Pressure Calculation sheet.
- ◆ Average the three Water Sensor Calibrations and enter it in to the corresponding space marked "Average".
- ◆ Complete the "Calculations for Test Period" to achieve the "Time of Test".



# PRESSURE CALCULATION & WATER SENSOR CALIBRATION

## DATA SHEET

Test Date \_\_\_\_\_

MANUFACTURED BY: ESTABROOK'S INC. 1-877-368-7215

TOTAL TANK VOL.	
PRODUCT VOL.	
ULLAGE VOL.	
PRODUCT TYPE	DIESEL OR #2 OIL
PBS # (NEW YORK)	
TANK #	TEST #1

Location	
Address	
City/State/Zip	
Location Contact	
Location Phone	
Depth of Groundwater Determined:	
By:	
Where:	

### PRESSURE SENSOR CALCULATION

	x		=		PSI (1)
INCHES OF PRODUCT		WEIGHT OF PRODUCT			
	x		=		PSI (2)
INCHES OF WATER IN TANK					
Line 1 + Line 2 = Total Positive Head Pressure In Tank			=		PSI (3)
	x		=		PSI (4)
INCHES OF WATER OUTSIDE TANK					
Total Head Pressure Minus Outside Water Pressure			=		+/- PSI (5)
Always add .5 PSI			+		PSI (6)
NOTE: If Line 6 is Less Than .5 PSI Line 7 Shall be .5 PSI					
TEST PRESSURE			=		+/- PSI (7)

### ACOUSTIC TEST TIME

### Equipment Calibration due date and serial numbers

	Time	Pressure	Serial Number	Calibration Due Date
Baseline Background:				
Blower Started:			In-Tank Microphone	
Test Pressure Reached:			Acoustic Signal Processor	
Blower Turned Off:			Pressure Sensor	
Test Began:			Water Sensor Display	
Test Ended:			Water Sensor Probe	

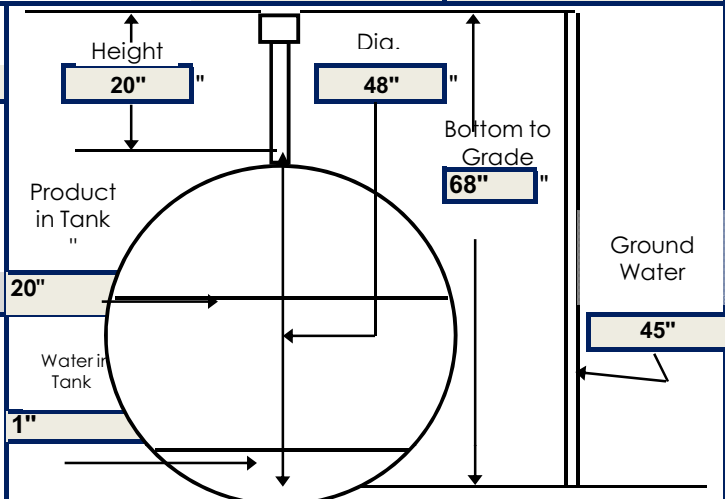
### WATER SENSOR CALIBRATION

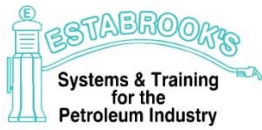
Added:	30	30	30	
	Cal #1	Cal #2	Cal #3	
Average:				
Calculation for Test Period:				
	÷ 3780 =		÷ .05	
Avg. Cal.	"A" Factor		x 60 =	
			Min. Time of Test	

### Water Intrusion Test Period

Began: \_\_\_\_\_

Ended: \_\_\_\_\_





# PRESSURE CALCULATION & WATER SENSOR CALIBRATION

## DATA SHEET

Test Date \_\_\_\_\_

MANUFACTURED BY: ESTABROOK'S INC. 1-877-368-7215

TOTAL TANK VOL. \_\_\_\_\_

PRODUCT VOL. \_\_\_\_\_

ULLAGE VOL. \_\_\_\_\_

PRODUCT TYPE **GASOLINE**

PBS # (NEW YORK) \_\_\_\_\_

TANK # **TEST #2**

Location \_\_\_\_\_

Address \_\_\_\_\_

City/State/Zip \_\_\_\_\_

Location Contact \_\_\_\_\_

Location Phone \_\_\_\_\_

Depth of Groundwater Determined: \_\_\_\_\_

By: \_\_\_\_\_

Where: \_\_\_\_\_

### PRESSURE SENSOR CALCULATION

_____	x	_____	=	_____	PSI (1)
INCHES OF PRODUCT		WEIGHT OF PRODUCT			
_____	x	_____	=	_____	PSI (2)
INCHES OF WATER IN TANK					
Line 1 + Line 2 = Total Positive Head Pressure In Tank			=	_____	PSI (3)
_____	x	_____	=	_____	PSI (4)
INCHES OF WATER OUTSIDE TANK					
Total Head Pressure Minus Outside Water Pressure			=	_____	+/- PSI (5)
Always add .5 PSI			+	_____	PSI (6)
NOTE: If Line 6 is Less Than .5 PSI Line 7 Shall be .5 PSI					
TEST PRESSURE			=	_____	+/- PSI (7)

### ACOUSTIC TEST TIME

### Equipment Calibration due date and serial numbers

	Time	Pressure		Serial Number	Calibration Due Date
Baseline Background:	_____	_____			
Blower Started:	_____	_____	In-Tank Microphone	_____	_____
Test Pressure Reached:	_____	_____	Acoustic Signal Processor	_____	_____
Blower Turned Off:	_____	_____	Pressure Sensor	_____	_____
Test Began:	_____	_____	Water Sensor Display	_____	_____
Test Ended:	_____	_____	Water Sensor Probe	_____	_____

### WATER SENSOR CALIBRATION

Added: 0 0 0

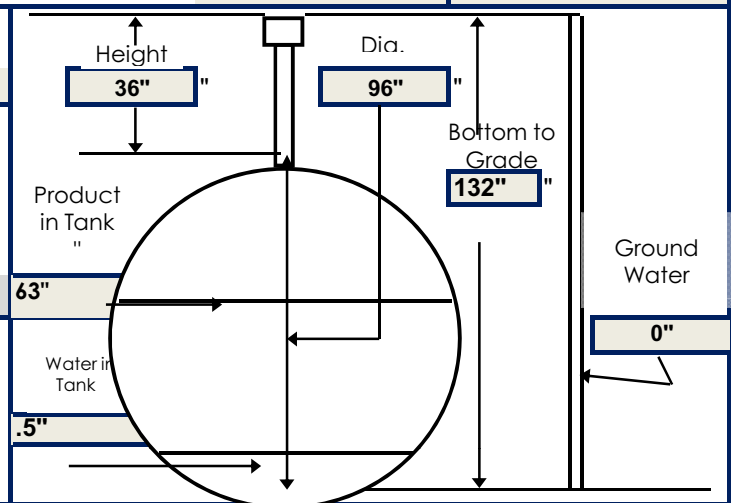
Cal #1      Cal #2      Cal #3

Average: \_\_\_\_\_

**Calculation for Test Period:**

\_\_\_\_\_ ÷ 3780 = \_\_\_\_\_ ÷ .05 \_\_\_\_\_ x 60 = \_\_\_\_\_

Avg. Cal.      "A" Factor      Min. Time of Test



### Water Intrusion Test Period

Began: \_\_\_\_\_

Ended: \_\_\_\_\_





# PRESSURE CALCULATION & WATER SENSOR CALIBRATION

## DATA SHEET

Test Date \_\_\_\_\_

MANUFACTURED BY: ESTABROOK'S INC. 1-877-368-7215

TOTAL TANK VOL. \_\_\_\_\_

PRODUCT VOL. \_\_\_\_\_

ULLAGE VOL. \_\_\_\_\_

PRODUCT TYPE **GASOLINE**

PBS # (NEW YORK) \_\_\_\_\_

TANK # **TEST #3**

Location \_\_\_\_\_

Address \_\_\_\_\_

City/State/Zip \_\_\_\_\_

Location Contact \_\_\_\_\_

Location Phone \_\_\_\_\_

Depth of Groundwater Determined: \_\_\_\_\_

By: \_\_\_\_\_

Where: \_\_\_\_\_

## PRESSURE SENSOR CALCULATION

_____	x	_____	=	_____	PSI (1)
INCHES OF PRODUCT		WEIGHT OF PRODUCT			
_____	x	_____	=	_____	PSI (2)
INCHES OF WATER IN TANK					
Line 1 + Line 2 = Total Positive Head Pressure In Tank			=	_____	PSI (3)
_____	x	_____	=	_____	PSI (4)
INCHES OF WATER OUTSIDE TANK					
Total Head Pressure Minus Outside Water Pressure			=	_____	+/- PSI (5)
Always add .5 PSI			+	_____	PSI (6)
NOTE: If Line 6 is Less Than .5 PSI Line 7 Shall be .5 PSI					
TEST PRESSURE			=	_____	+/- PSI (7)

## ACOUSTIC TEST TIME

## Equipment Calibration due date and serial numbers

	Time	Pressure	Serial Number	Calibration Due Date
Baseline Background:	_____	_____		
Blower Started:	_____	_____	In-Tank Microphone	_____
Test Pressure Reached:	_____	_____	Acoustic Signal Processor	_____
Blower Turned Off:	_____	_____	Pressure Sensor	_____
Test Began:	_____	_____	Water Sensor Display	_____
Test Ended:	_____	_____	Water Sensor Probe	_____

## WATER SENSOR CALIBRATION

Added: **75** **75** **75**

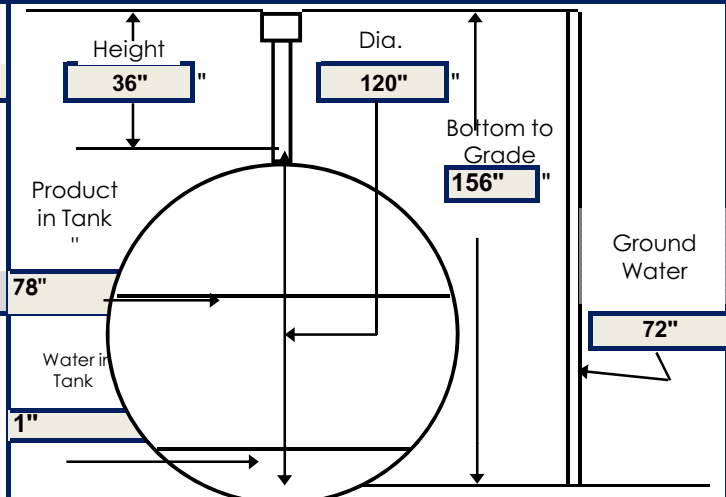
Average: \_\_\_\_\_

Cal #1 Cal #2 Cal #3

Calculation for Test Period:

\_\_\_\_\_ ÷ 3780 = \_\_\_\_\_ ÷ .05 \_\_\_\_\_ x 60 = \_\_\_\_\_

Avg. Cal. "A" Factor Min. Time of Test



## Water Intrusion Test Period

Began: \_\_\_\_\_

Ended: \_\_\_\_\_



# **EZY Chek Systems**

## **PRODUCT LINE TESTER**

### **CERTIFICATION**

===== **EXAM** =====

**Read each question; write the letter to the answer you chose in the space provided next to the question number.**

- 1) \_\_\_\_\_ What is the gallon per line on the Estabrook's, EZY Chek Product Line Tester?
  - a. .0027
  - b. .050
  - c. .0037
  - d. .0031
  
- 2) \_\_\_\_\_ What is the threshold value of the Estabrook's, EZY Chek Product Line Tester?
  - a. .0027
  - b. .050
  - c. .0037
  - d. .0031
  
- 3) \_\_\_\_\_ How much pressure shall be applied to the pressure line?
  - a. 1 times the working pressure
  - b. 2 times the working pressure
  - c. At working pressure
  - d. 1 1/2 times the working pressure
  
- 4) \_\_\_\_\_ What is the "minimum" pressure applied to a suction line?
  - a. 2.5 psi
  - b. 7 psi
  - c. 10 psi
  - d. 1 psi
  
- 5) \_\_\_\_\_ What is the "maximum" pressure applied to a suction line?
  - a. 10 psi
  - b. 9 psi
  - c. 15 psi
  - d. 20 psi
  
- 6) \_\_\_\_\_ How often is data collected?
  - a. Every 15 minutes
  - b. Every 5 minutes
  - c. Once and hour
  - d. Every half hour
  
- 7) \_\_\_\_\_ Can a product line test be done through the filter housing?
  - a. True
  - b. False
  
- 8) \_\_\_\_\_ When testing through the filter housing, the shear valve must be closed?
  - a. True
  - b. False



## **EZY Chek Systems**

# **PRODUCT LINE TESTER CERTIFICATION EXAM**

*Read each question; write the letter to the answer you chose in the space provided next to the question number.*

- 9) \_\_\_\_\_ Can the test cylinder be filled through the filter housing or the shear valve?  
a. True  
b. False
- 10) \_\_\_\_\_ It's best to do a line test on the dispenser closest to the pump?  
a. True  
b. False
- 11) \_\_\_\_\_ Before continuous pressure is applied on the line; you must do the bleed back process?  
a. True  
b. False
- 12) \_\_\_\_\_ Once the technician collects the required half hour worth of data, and it meets stop test criteria, pass or fail, the test is completed?  
a. True  
b. False
- 13) \_\_\_\_\_ Once data collection starts, the minimum "3" readings must be within .040 of each other?  
a. True  
b. False
- 14) \_\_\_\_\_ When testing a fiberglass or steel line, the volume can not exceed 101 gallons?  
a. True  
b. False
- 15) \_\_\_\_\_ When testing a flex line, the volume shall be no larger than 101 gallons?  
a. True  
b. False
- 16) \_\_\_\_\_ One way to isolate the line from the tank is to screw the functional element down?  
a. True  
b. False
- 17) \_\_\_\_\_ If there is no ball valve and the functional element won't close, a line test can not be performed?  
a. True  
b. False
- 18) \_\_\_\_\_ When testing at the submersible pump through the leak detector port, using the Estabrook's EZY Chek Systems ISO plug, pressure can be applied through the plug to the dispenser?  
a. True  
b. False

**Complete the data calculations and indicate a pass or fail or result**



**EZY CHEK SYSTEMS**  
**PRODUCT LINE TESTER**  
**DATA SHEET**

**TEST DATE** \_\_\_\_\_

**Testing Company Information**

Name	_____
Address	_____
City	_____
Phone	_____

**Test Location Information**

Name	_____
Address	_____
City	_____
Phone	_____
Contact	_____

**Technician Information**

Name	_____
Cert #	_____

**Applied Pressure** \_\_\_\_\_

#1	Product Type:		_____	_____	_____
TIME	DATA	-/+	GPL	RES	GPH
9:00	78	0	0.0037	0.0000	0.0000
9:15	76		0.0037		
9:30	75		0.0037		
9:45	74		0.0037		
10:00			0.0037		
			0.0037		

**FINAL RESULT:** \_\_\_\_\_

#2	Product Type:		_____	_____	_____
TIME	DATA	-/+	GPL	RES	GPH
10:15	89	0	0.0037	0.0000	0.0000
10:30	88		0.0037		
10:45	87		0.0037		
11:00	87		0.0037		
11:15	86		0.0037		
			0.0037		

**FINAL RESULT:** \_\_\_\_\_

#3	Product Type:		_____	_____	_____
TIME	DATA	-/+	GPL	RES	GPH
1:30	84	0	0.0037	0.0000	0.0000
1:45	81		0.0037		
2:00	78		0.0037		
2:15	76		0.0037		
2:30	73		0.0037		
			0.0037		

**FINAL RESULT:** \_\_\_\_\_

#4	Product Type:		_____	_____	_____
TIME	DATA	-/+	GPL	RES	GPH
5:00	91	0	0.0037	0.0000	0.0000
5:15	87		0.0037		
5:30	83		0.0037		
5:45	79		0.0037		
			0.0037		
			0.0037		

**FINAL RESULT:** \_\_\_\_\_

#5	Product Type:		_____	_____	_____
TIME	DATA	-/+	GPL	RES	GPH
12:00	89	0	0.0037	0.0000	0.0000
12:15	88		0.0037		
12:30	88		0.0037		
			0.0037		
			0.0037		
			0.0037		

**FINAL RESULT:** \_\_\_\_\_

#6	Product Type:		_____	_____	_____
TIME	DATA	-/+	GPL	RES	GPH
3:00	90	0	0.0037	0.0000	0.0000
3:15	86		0.0037		
3:30	83		0.0037		
3:45	81		0.0037		
4:00	79		0.0037		
4:15	79		0.0037		

**FINAL RESULT:** \_\_\_\_\_